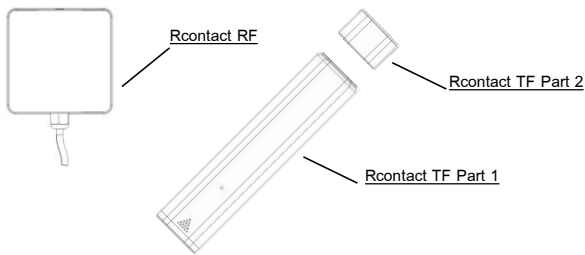


SD PROTECTION DEVICE

MANUAL INSTRUCTION

-Component parts



Parameters:

Rcontact RF operating voltage	DC 12-24V
Rcontact RF interface state	"NO" or "NC" is optional
Rcontact TF Part 1 operating voltage	1.5V AA battery * 2 pcs or DC 24V

-Installation progress

1. For Rcontact TF Part 1 & Rcontact TF Part 2

- The installation distance between Rcontact TF Part 1 and Rcontact TF Part 2 is the best within 15 mm. (Fig.1)

If the distance exceeds 15mm, the effect will be worse or even invalid.

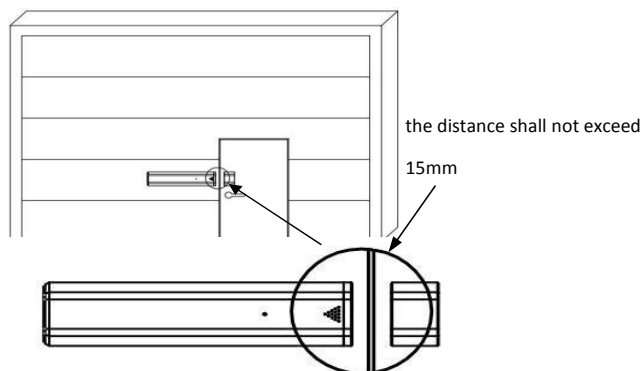


Fig.1

- For Rcontact RF: Open the cover then use the screw 2 to fixed it on the wall. (Fig.2) Tighten the screw 1 to achieve the best results in waterproofing.
- For Rcontact TF Part 1: Open the cover, put the battery inside, then use the screws to fixed it on the door. (Fig.3)
- For Rcontact TF Part 2: Open the cover then use the screws to fixed it on the door. (Fig.4)

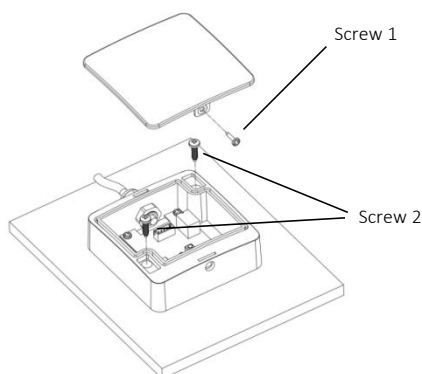


Fig.2

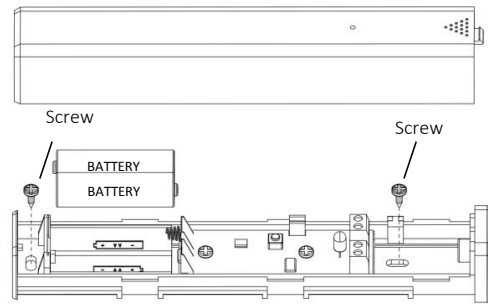


Fig.3

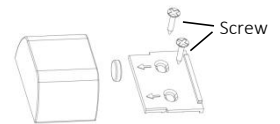


Fig.4

-Wiring instruction of Rcontact RF:

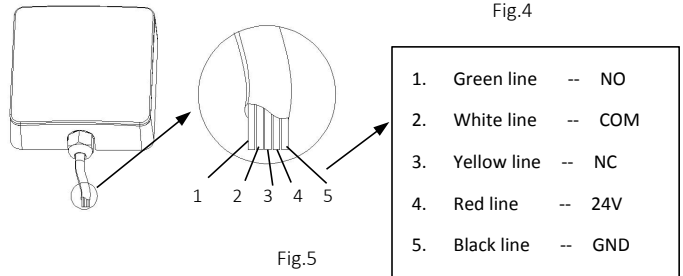


Fig.5

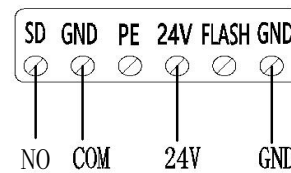


Fig.6

For example, when the interface state is **NO**, the wiring as below:

- The Green line(**NO**) and White line(**COM**) of Rcontact RF need to be connected with **SD** and **GND** of opener. (Fig6)
- The Red line(**24V**) and Black line(**GND**) of Rcontact RF need to be connected with **24V** and **GND** of opener. (Fig6)

-Coding instruction:

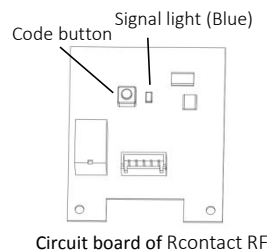


Fig.7

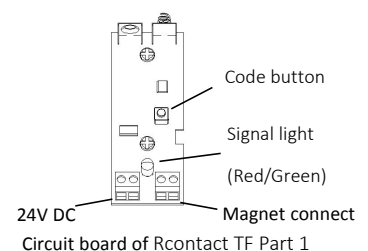


Fig.8

Short press the code button inside of Rcontact RF, after the blue LED light is on (Fig 7), and then short press the code button inside of Rcontact TF Part 1 (Fig 8), the green light (Rcontact TF Part 1) is on, and blue light(Rcontact RF) starts to flash (during the coding process), and the coding progress is completed when the blue light(Rcontact RF) goes out.

NOTE: Please coding in the state of removing Rcontact TF Part 2.

-Working state instruction:

- A. When the door is opened, the red light(Rcontact TF Part 1) will flash once.
- B. When the door is closed, the green light(Rcontact TF Part 1) will flash once.

-Attention:

1. The code has been completed in the factory.(Rcontact RF & Rcontact TF Part 1)When it works well, Rcontact RF is close to Rcontact TF Part 1, you will hear the sound of the relay.

2. Please observe whether the signal light of the Rcontact TF Part 1 will be work well (door is closed, green light will be on; door is opened, red light will be on.) If not displayed with lights, the door can be opened and closed several times until the signal light(Red/Green) flashes. If the signal light is still not displayed, you should find the cause in time.

• Possible cause:

- A. The distance between the Rcontact TF Part 1 and Rcontact TF Part 2 is too large;
- B. Power supply problem of Rcontact RF;
- C. The battery of the Rcontact TF Part 1 needs to be replaced

3. When the battery is in low power: the blue signal light of Rcontact RF will be flash, turn on the SD PROTECTION DEVICE function, the opener will not run. It indicate that the battery need to be replaced.

4. When the Rcontact RF is powered off and the door fails to operate, please do the following:

- A. When the door is closed and can not run, then open the door in door and then close it again;
- B. When the door is open and can not run, it is necessary to unplug the terminal connecting the Rcontact RF and the extension equipment and then plug the terminal again after the door is closed.

5. When the battery of Rcontact TF Part 1 is removed, please make sure that the small door is closed to prevent damage to the door or other property caused by the operation of the opener.